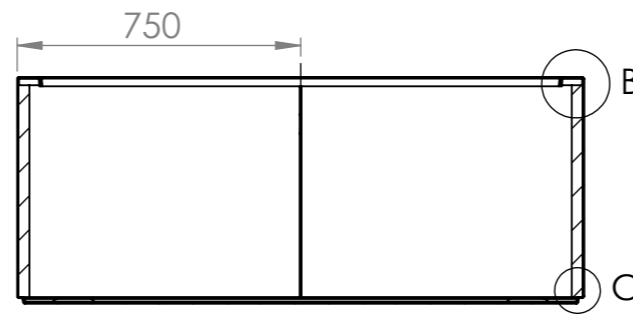
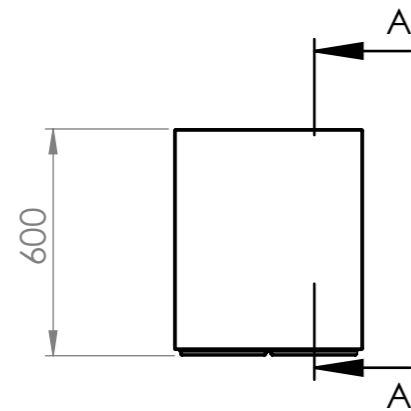
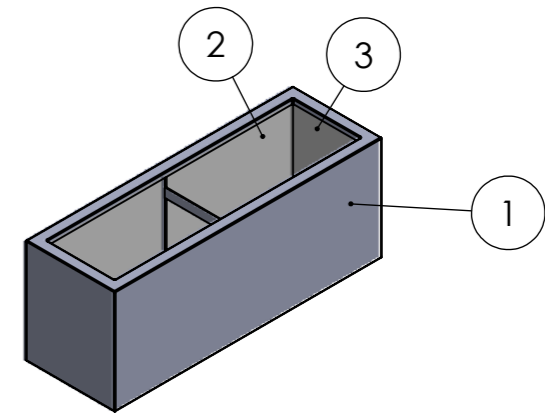
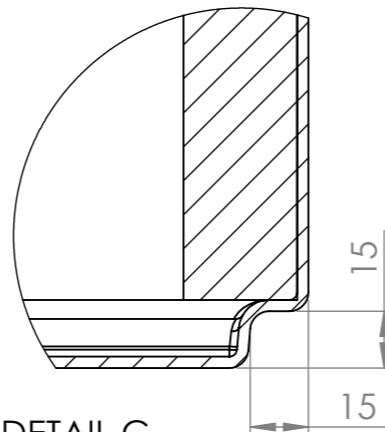
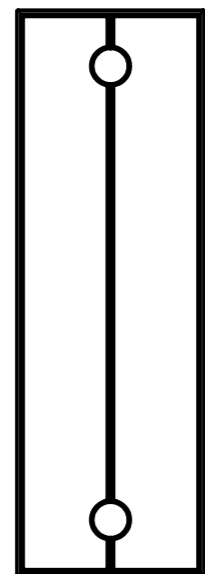
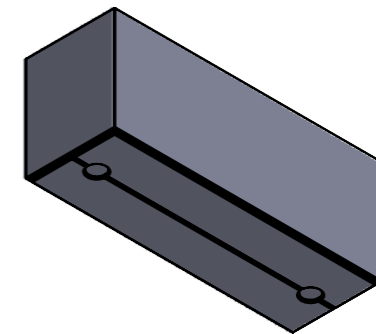


DETAIL B
SCALE 1 : 2



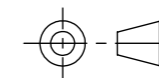
SECTION A-A



DETAIL C
SCALE 1 : 2

ITEM NO.	PART NUMBER	DESCRIPTION	QTY.
1	PB22.1 Polyester		1
2	PB22.1 EPS60		4
3	PB22.1 EPS60 2		2

		DATE
DRAWN	Joris Koppens	3-10-2019
REVISION	Benny Dijkhuis	9-7-2021



TITLE:
3mm Fibreglass

ADEZZ[®]

Liessentstraat 4, 5405 AG Uden (NL).
 † 0031 (0)413 - 27 41 68.
 e info@adezz.com, i www.adezz.com

Drawing:	PB22.1 1500x500x600	A3
----------	---------------------	----

Color:	-	Mass (kg):		SCALE:1:20	SHEET 1 OF 3
--------	---	------------	--	------------	--------------